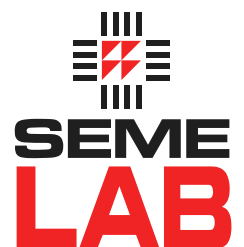
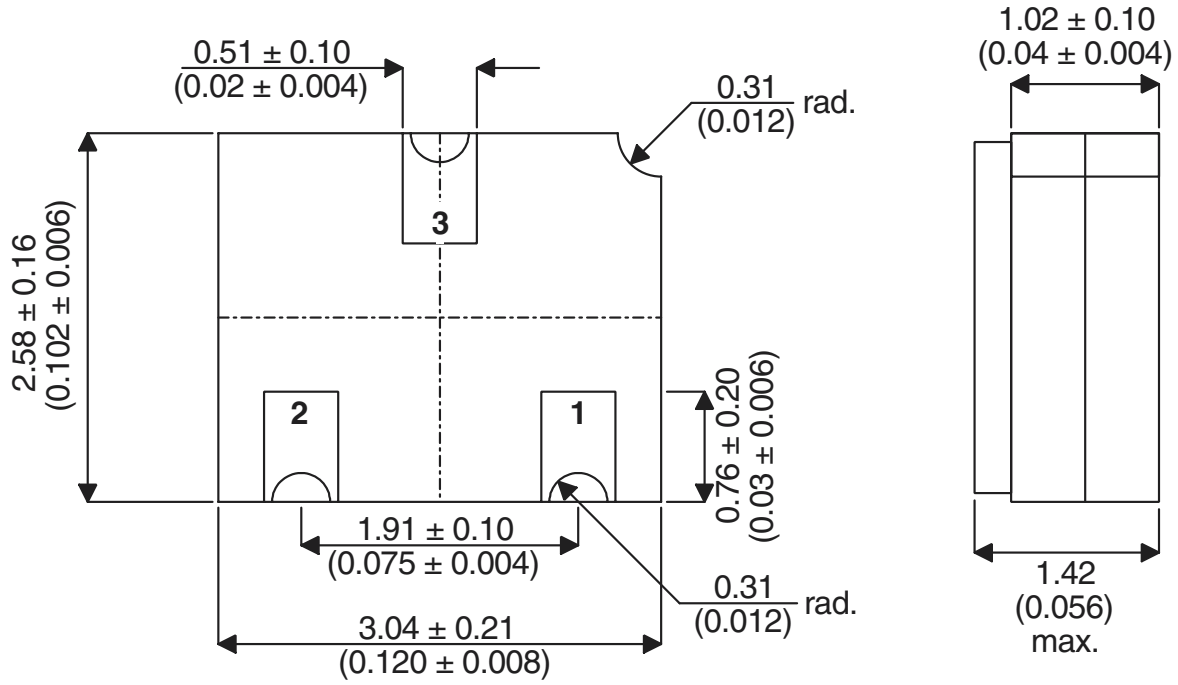


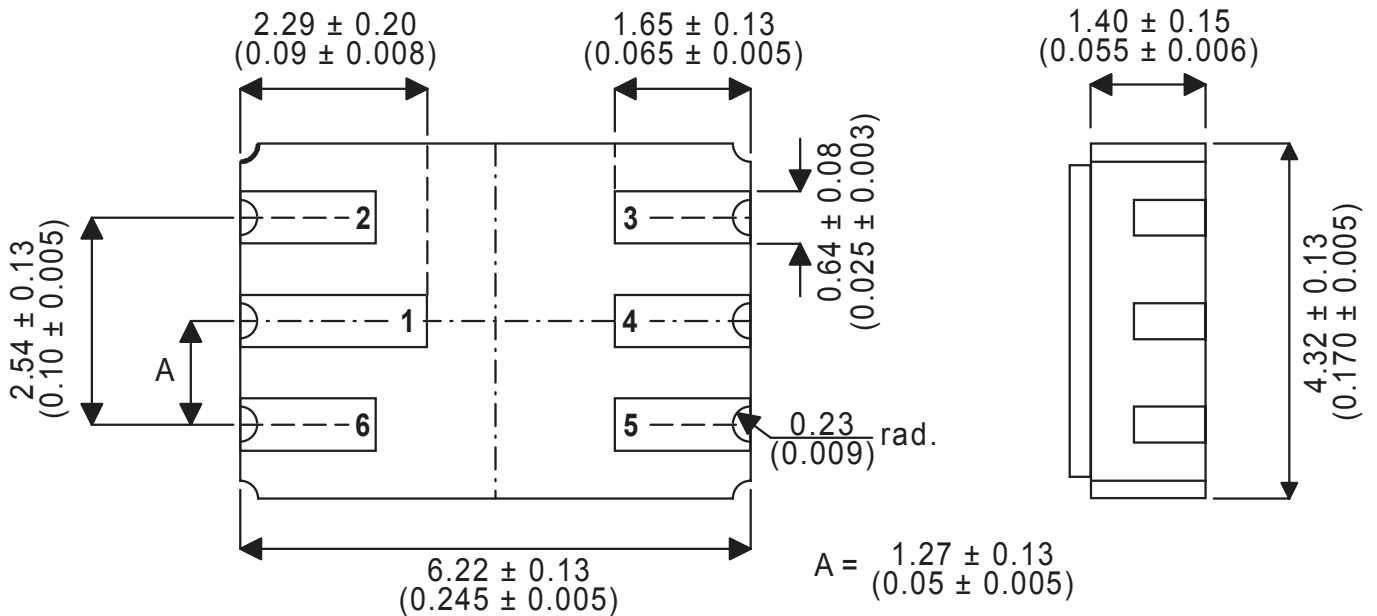
Semelab Aerospace Package Dimensions





Dimensions in mm (inches)

LCC1

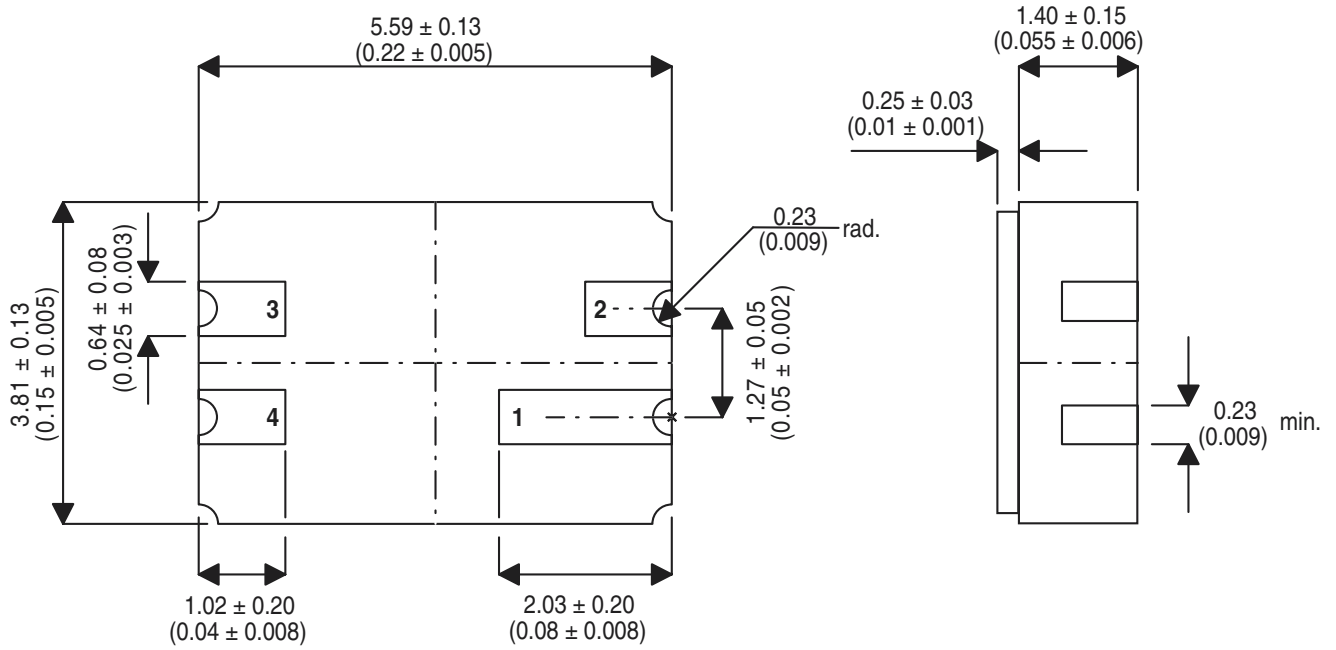


Dimensions in mm (inches)

LCC2 (MO-041BB)

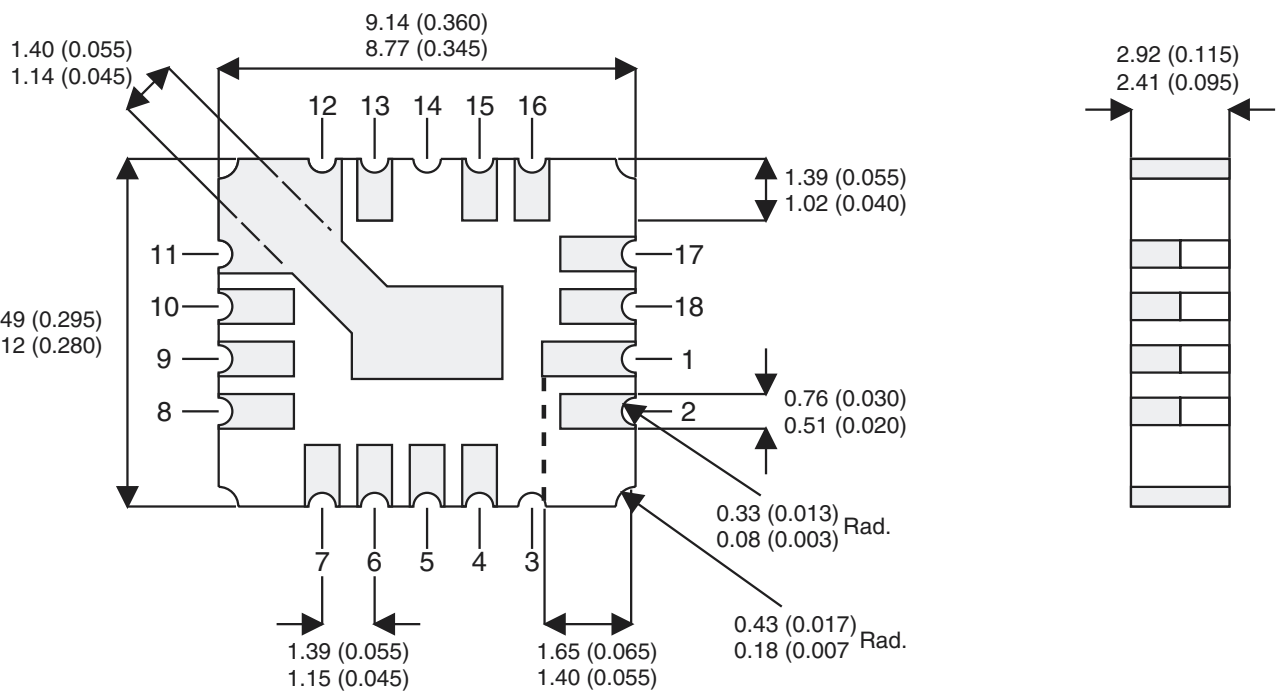


Dimensions shown are to JEDEC specifications. Some products may be specified with marginally different dimensions. See individual data sheets for detailed spec.



Dimensions in mm (inches)

LCC3 (MO-041BA)

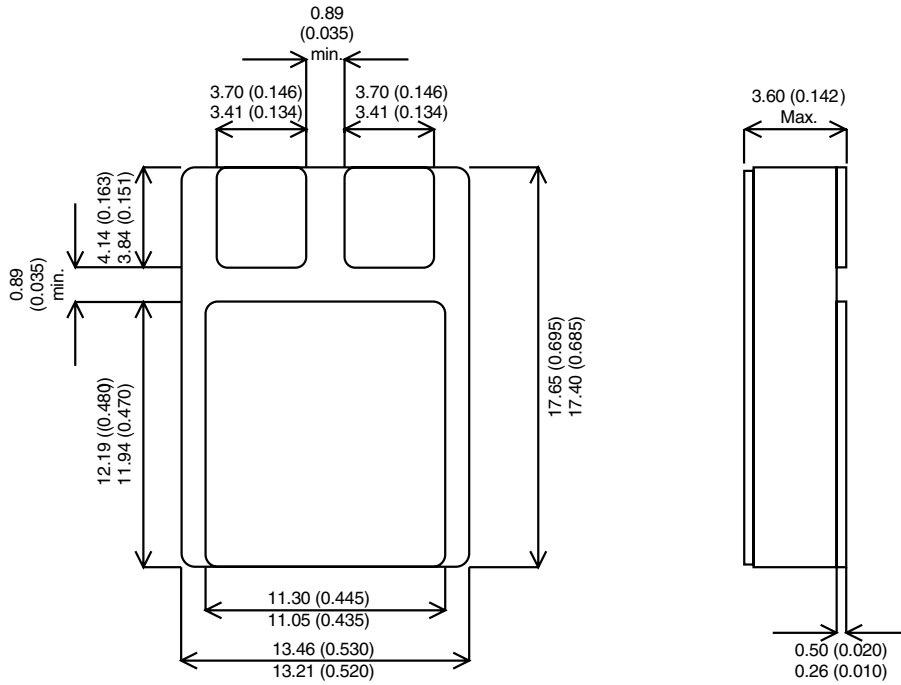


Dimensions in mm (inches)

LCC4



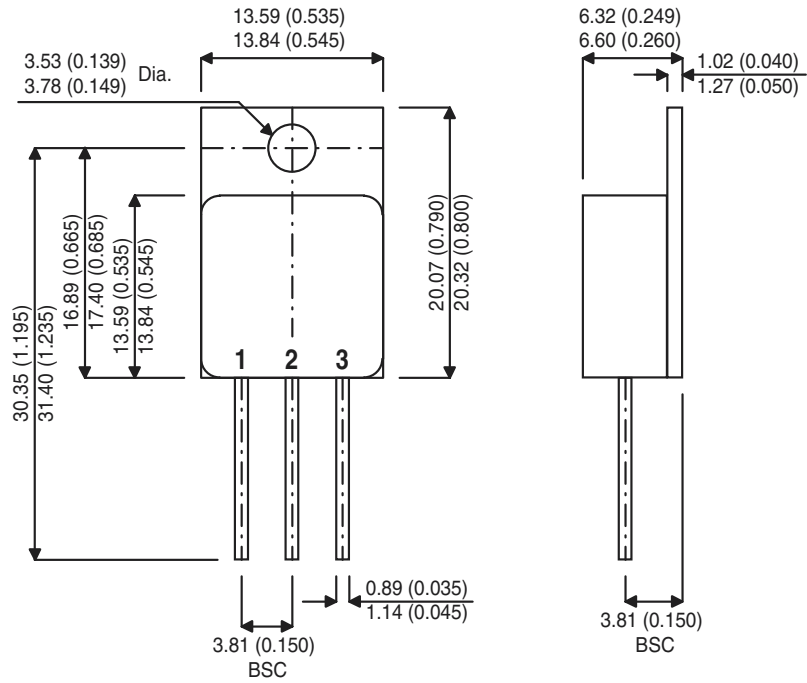
Dimensions shown are to JEDEC specifications. Some products may be specified with marginally different dimensions. See individual data sheets for detailed spec.



Dimensions in mm (inches)

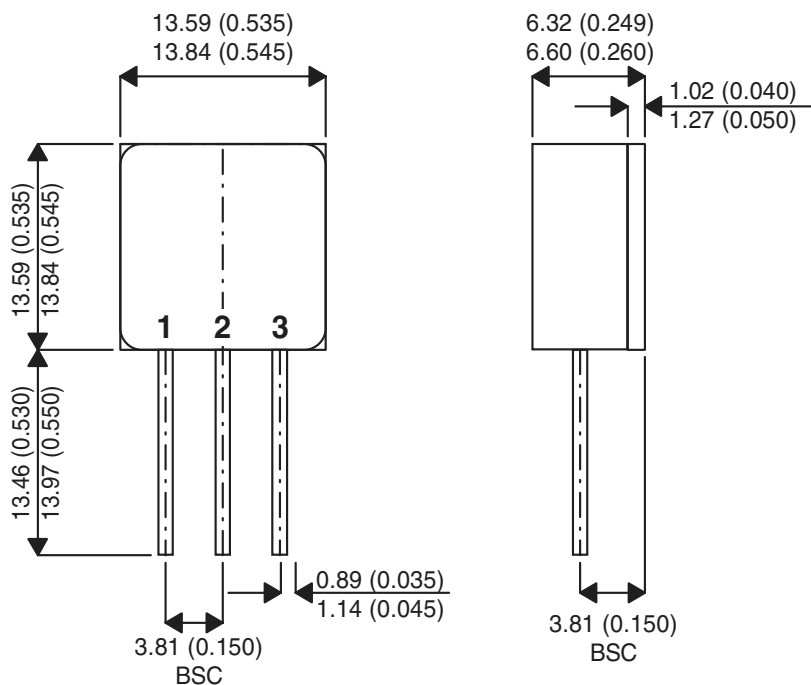
SMD2 (TO-276AC)





Dimensions in mm (inches)

TO-254AA

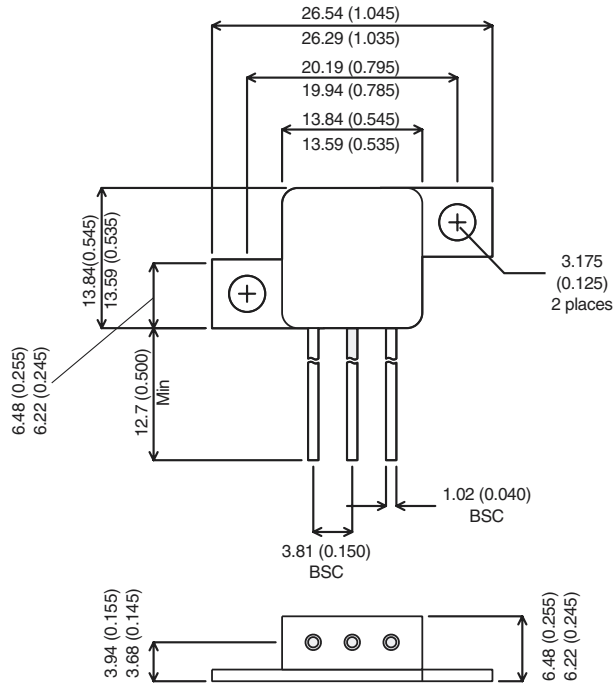


Dimensions in mm (inches)

TO-254 Tabless

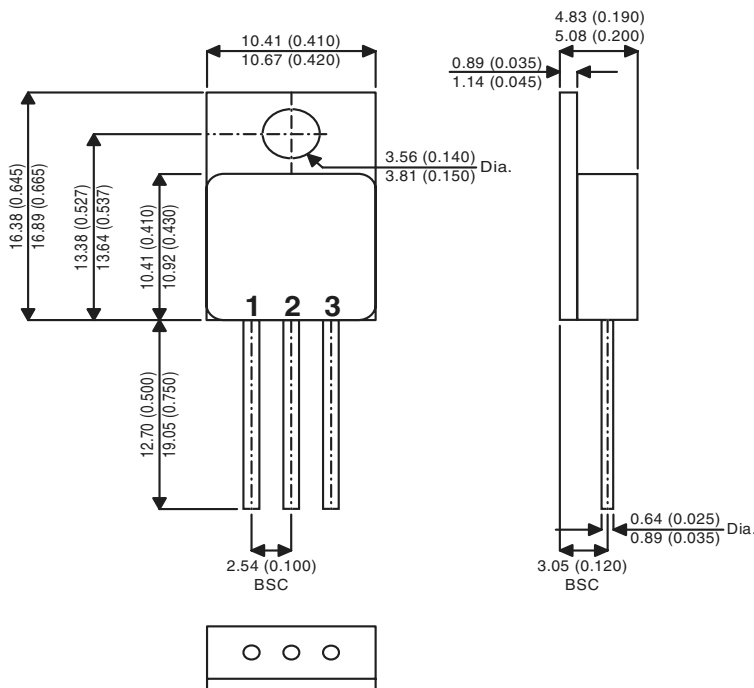


Dimensions shown are to JEDEC specifications. Some products may be specified with marginally different dimensions. See individual data sheets for detailed spec.



Dimensions in mm (inches)

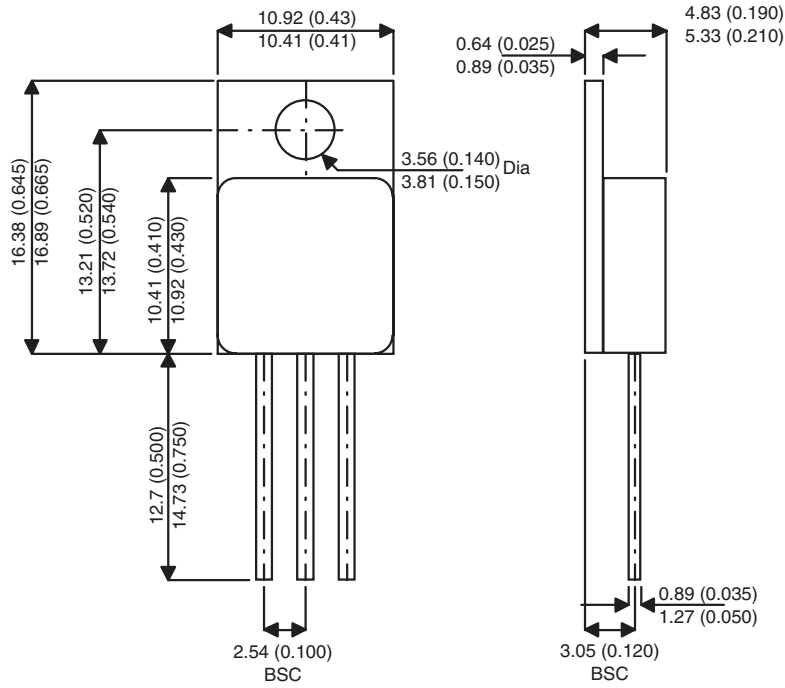
TO-254 Side Tab



Dimensions in mm (inches)

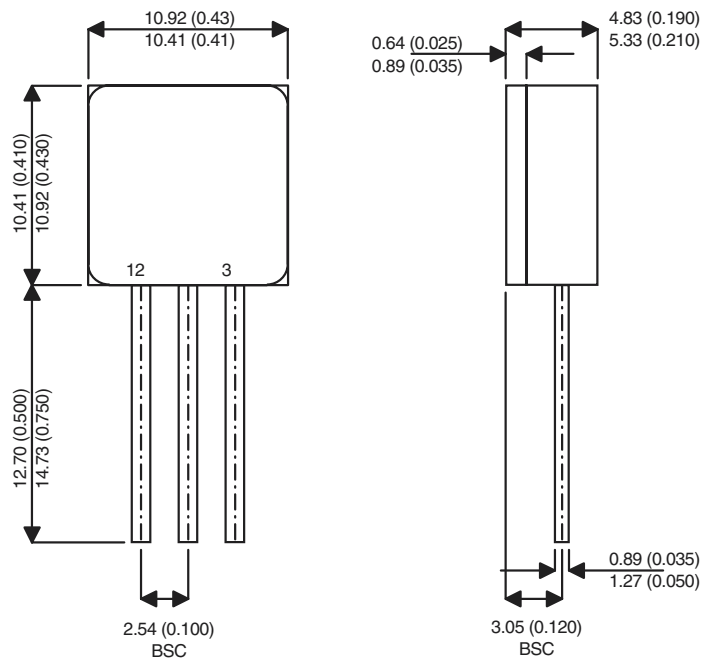
TO-257AA (0.75mm leads)





Dimensions in mm (inches)

TO-257AB/TO220M (1mm leads)

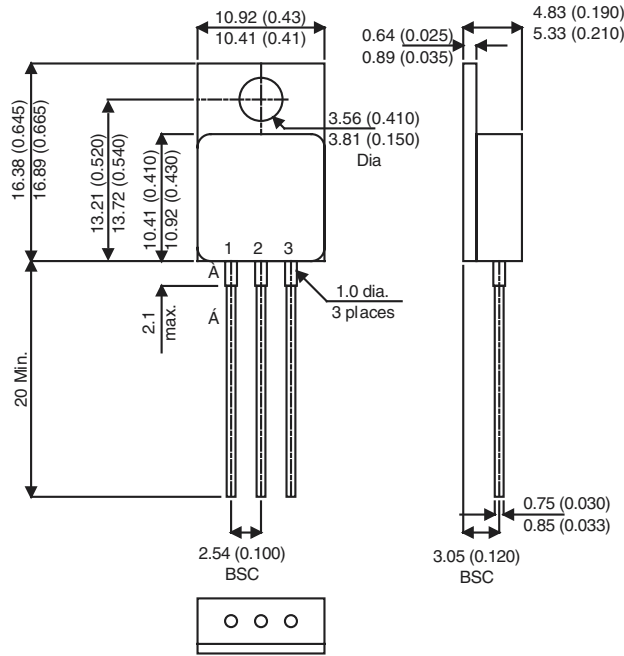


Dimensions in mm (inches)

TO-257AB Tabless

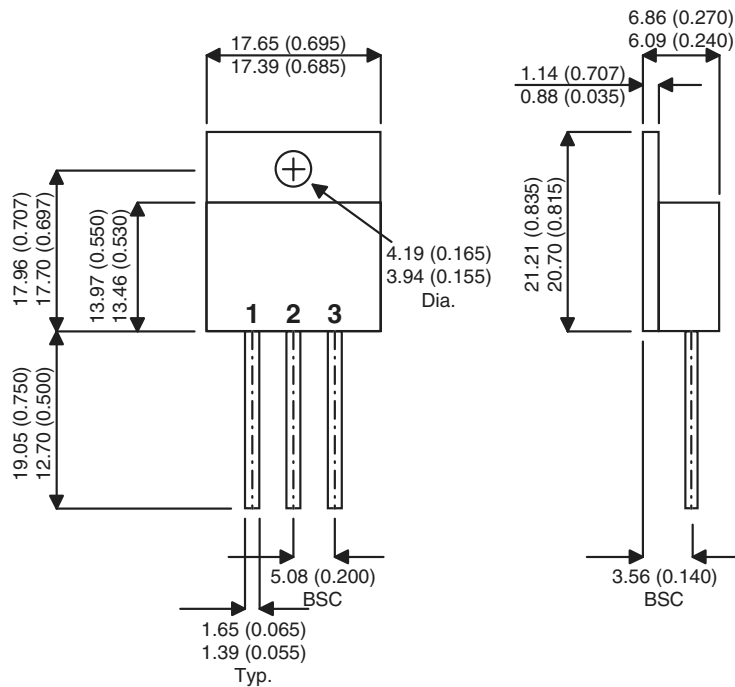


Dimensions shown are to JEDEC specifications. Some products may be specified with marginally different dimensions. See individual data sheets for detailed spec.



Dimensions in mm (inches)

TO-257 Flexy-lead

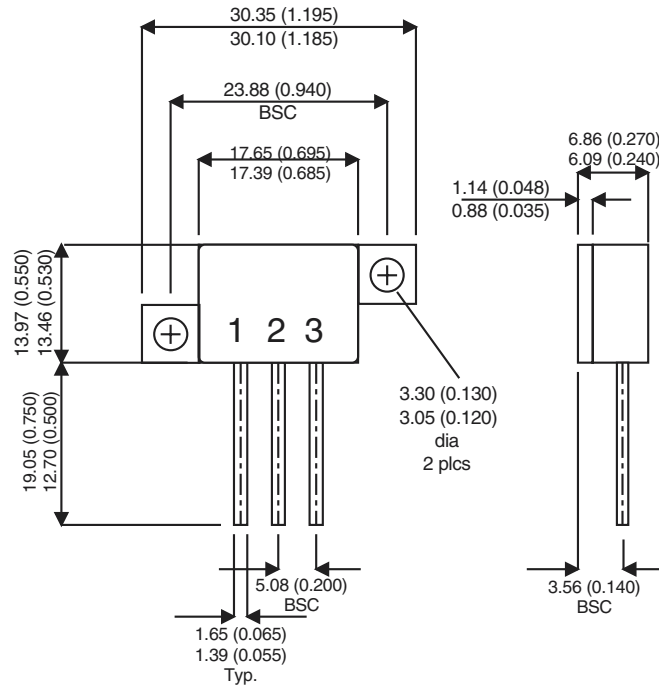


Dimensions in mm (inches)

TO-258AA

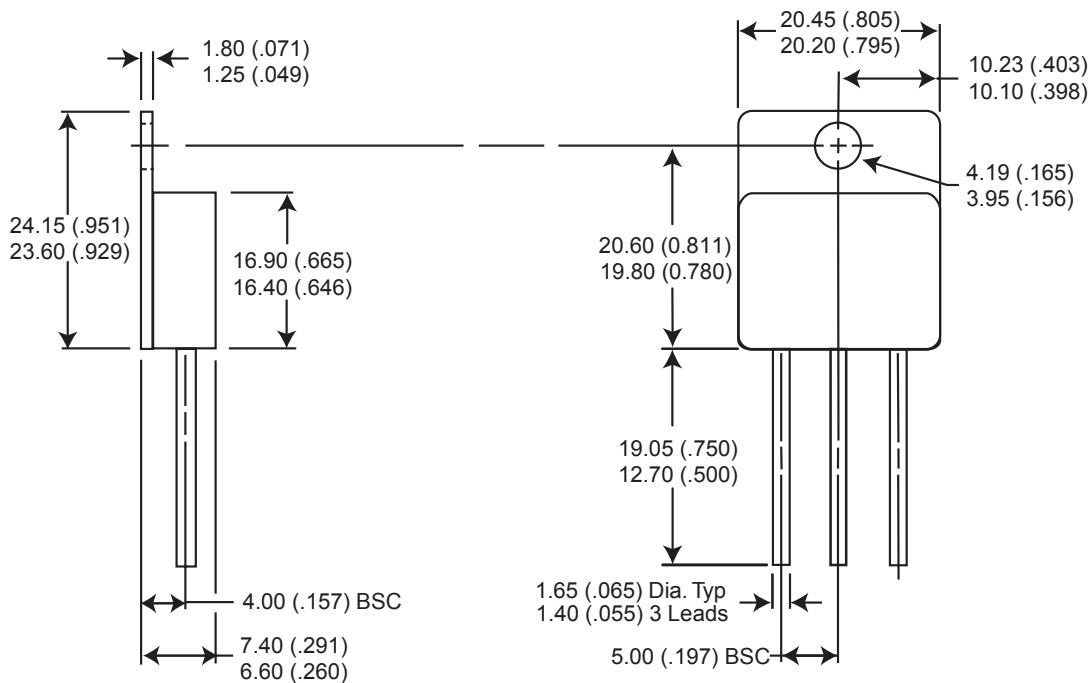


Dimensions shown are to JEDEC specifications. Some products may be specified with marginally different dimensions. See individual data sheets for detailed spec.



Dimensions in mm (inches)

TO-259AA (Z-tab TO258)

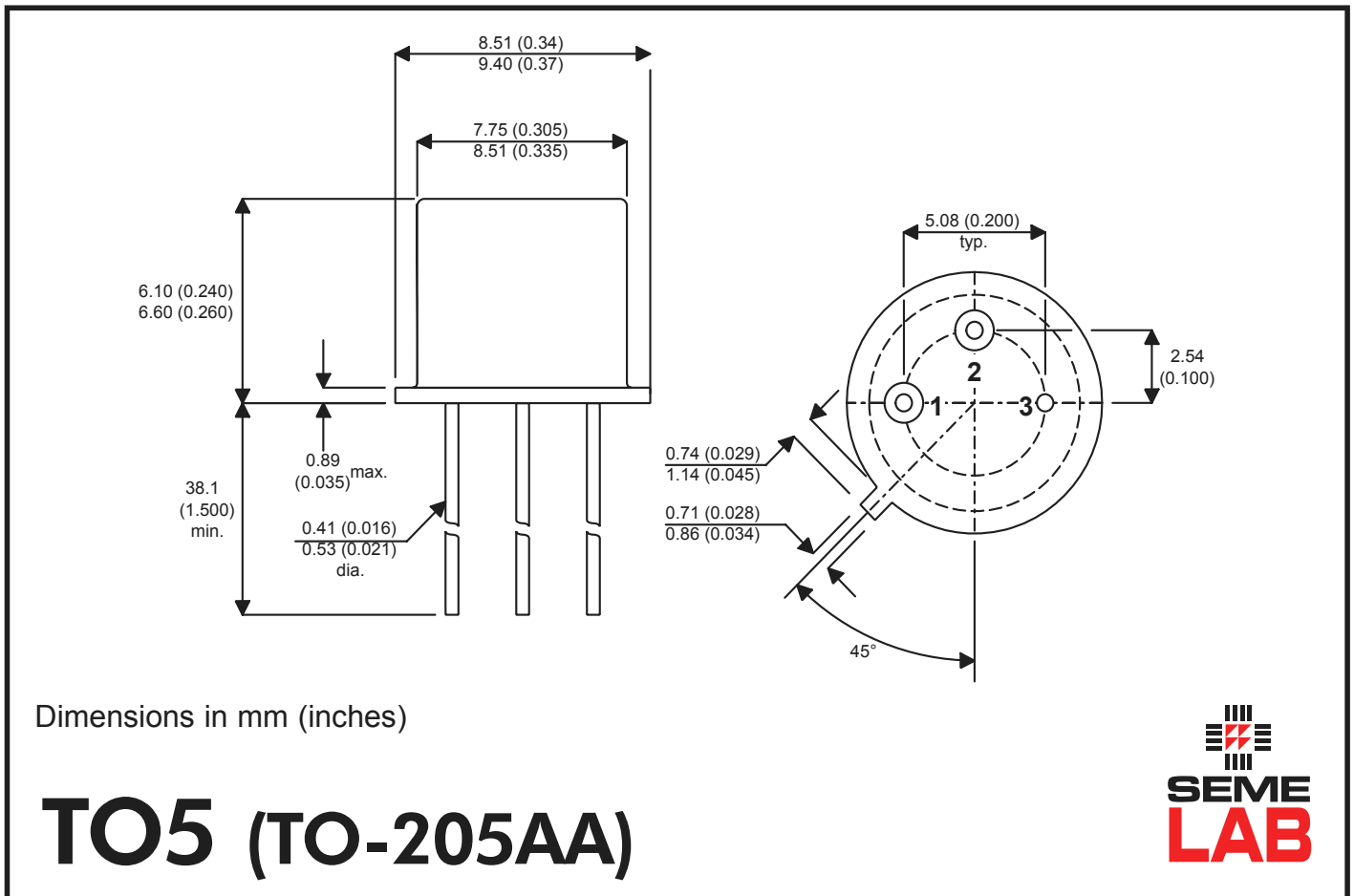
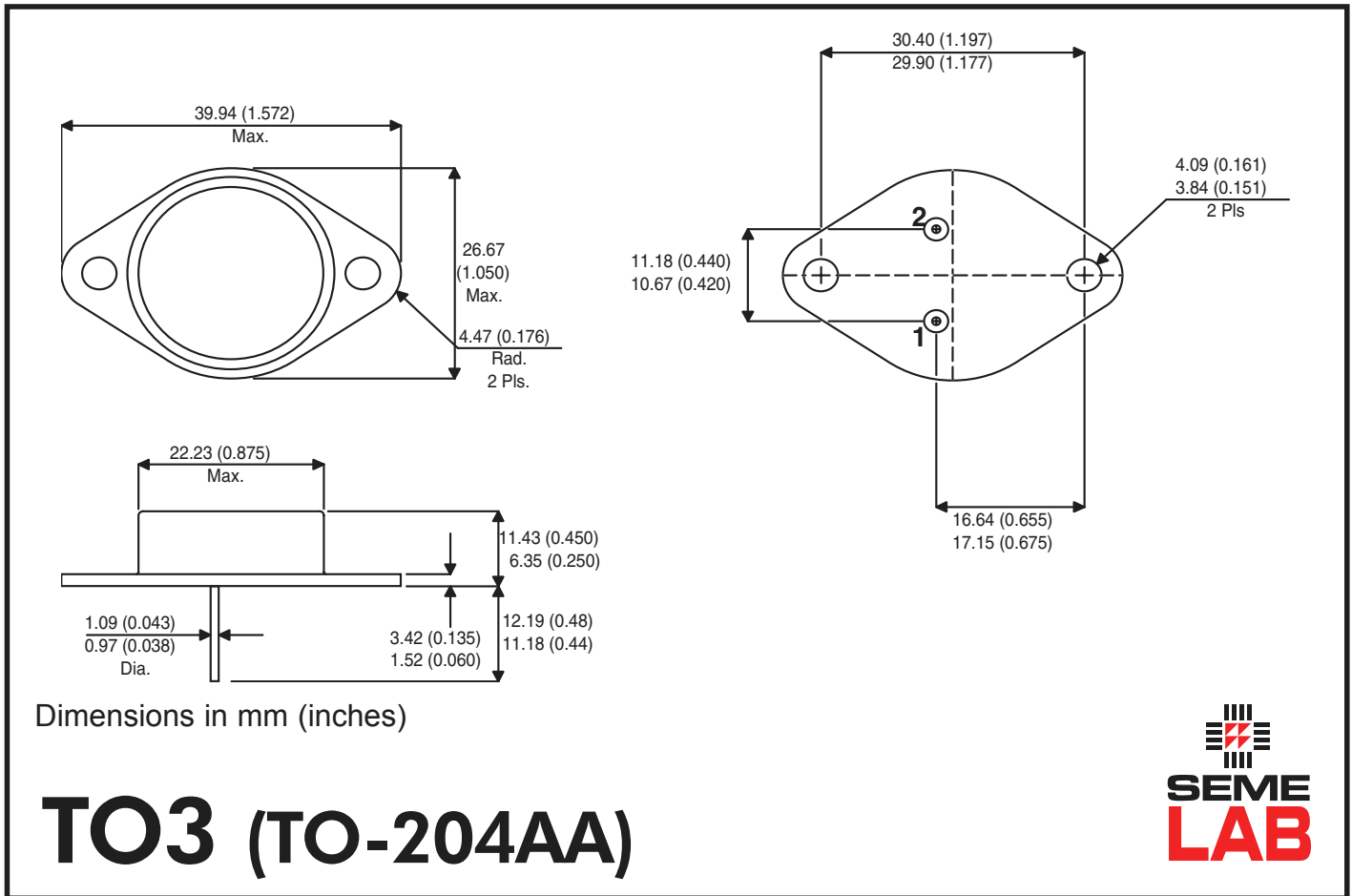


Dimensions in mm (inches)

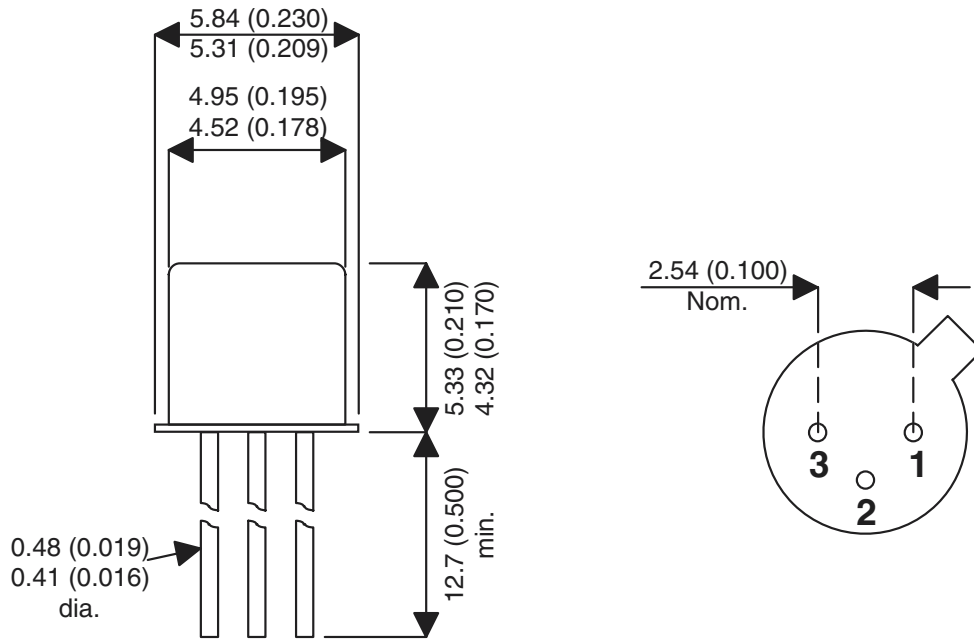
TO-267AA



Dimensions shown are to JEDEC specifications. Some products may be specified with marginally different dimensions. See individual data sheets for detailed spec.

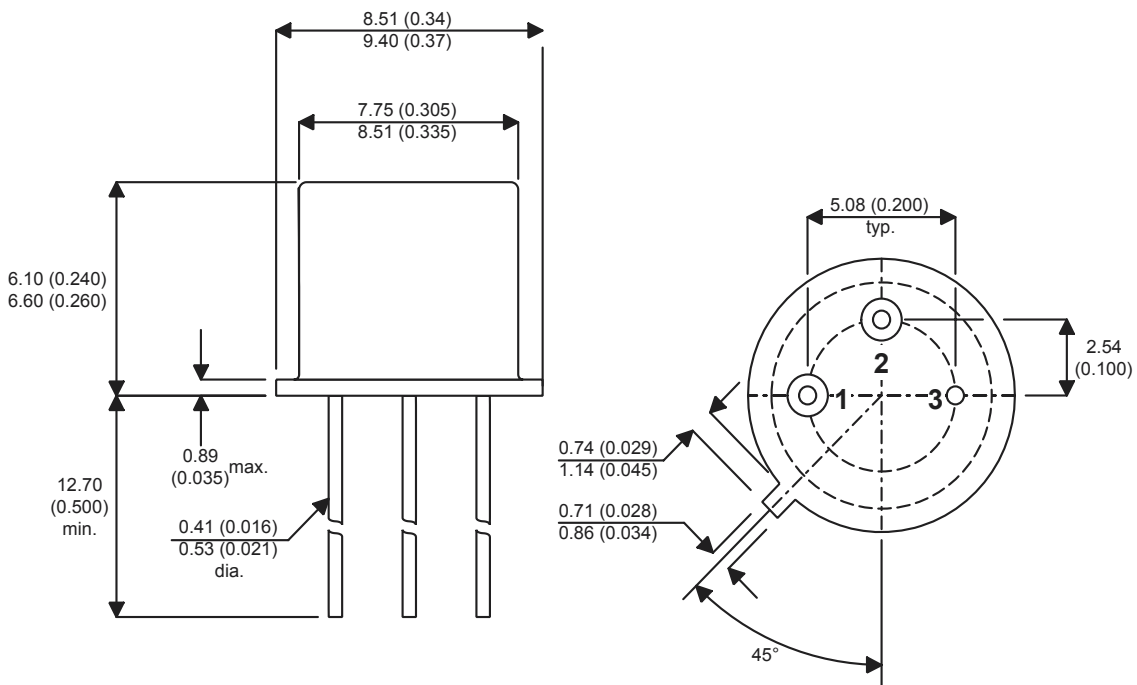


Dimensions shown are to JEDEC specifications. Some products may be specified with marginally different dimensions. See individual data sheets for detailed spec.



Dimensions in mm (inches)

TO18 (TO-206AA)

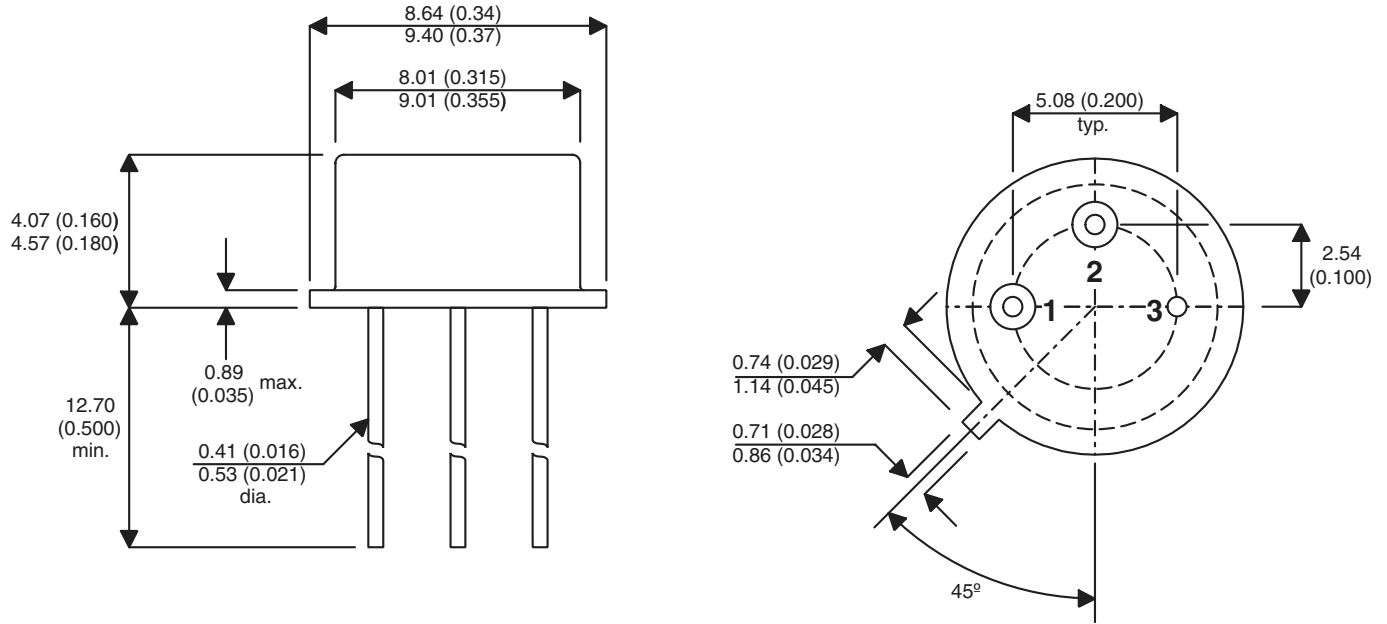


Dimensions in mm (inches)

TO39 (TO-205AD)

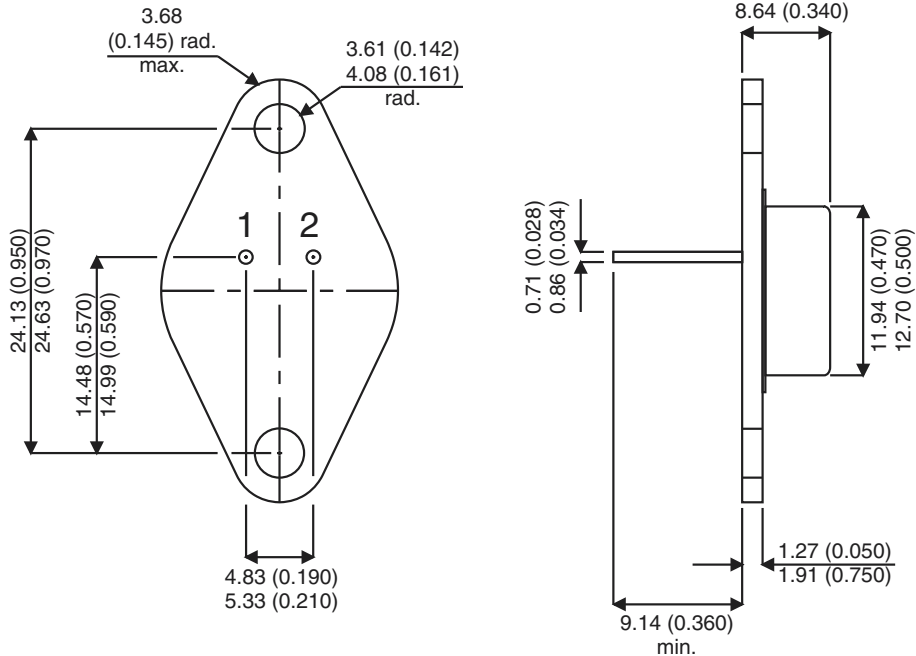


Dimensions shown are to JEDEC specifications. Some products may be specified with marginally different dimensions. See individual data sheets for detailed spec.



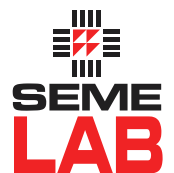
Dimensions in mm (inches)

TO39 Low Profile (TO-205AF)

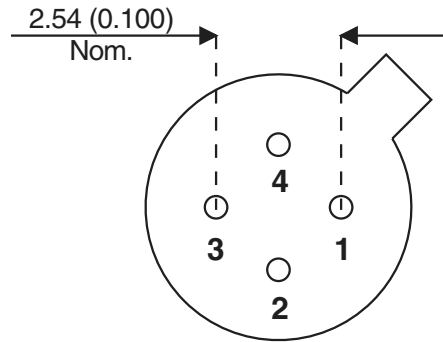
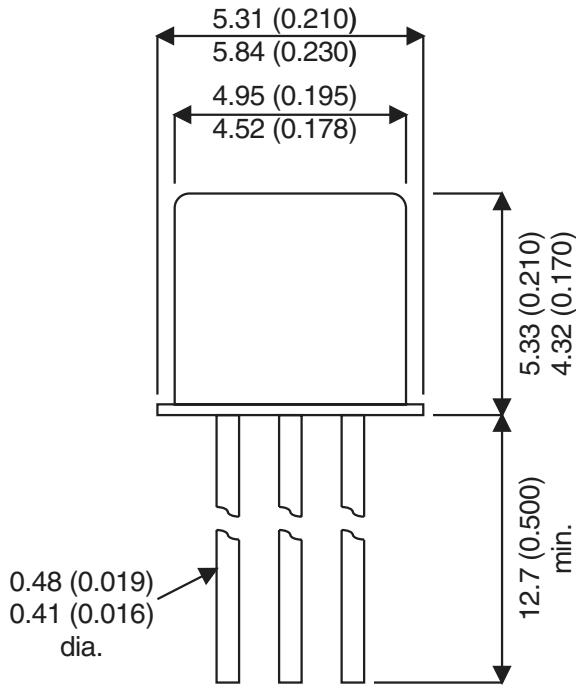


Dimensions in mm (inches)

TO66 (TO-213AA)

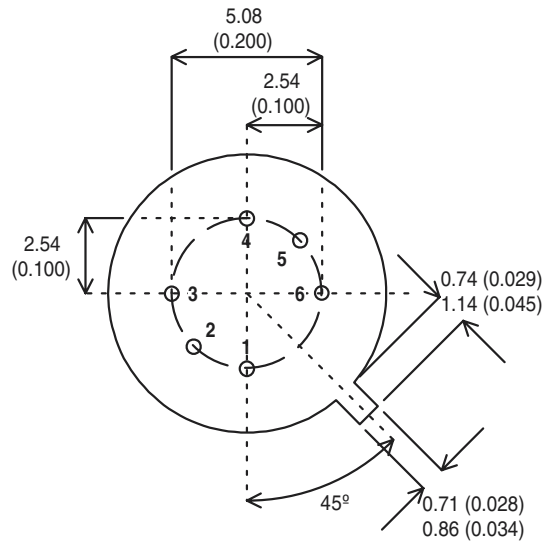
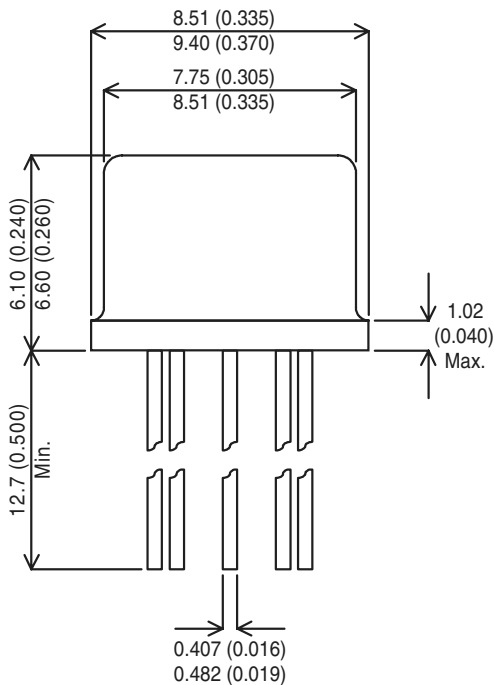


Dimensions shown are to JEDEC specifications. Some products may be specified with marginally different dimensions. See individual data sheets for detailed spec.



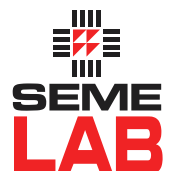
Dimensions in mm (inches)

TO72 (TO-206AF)

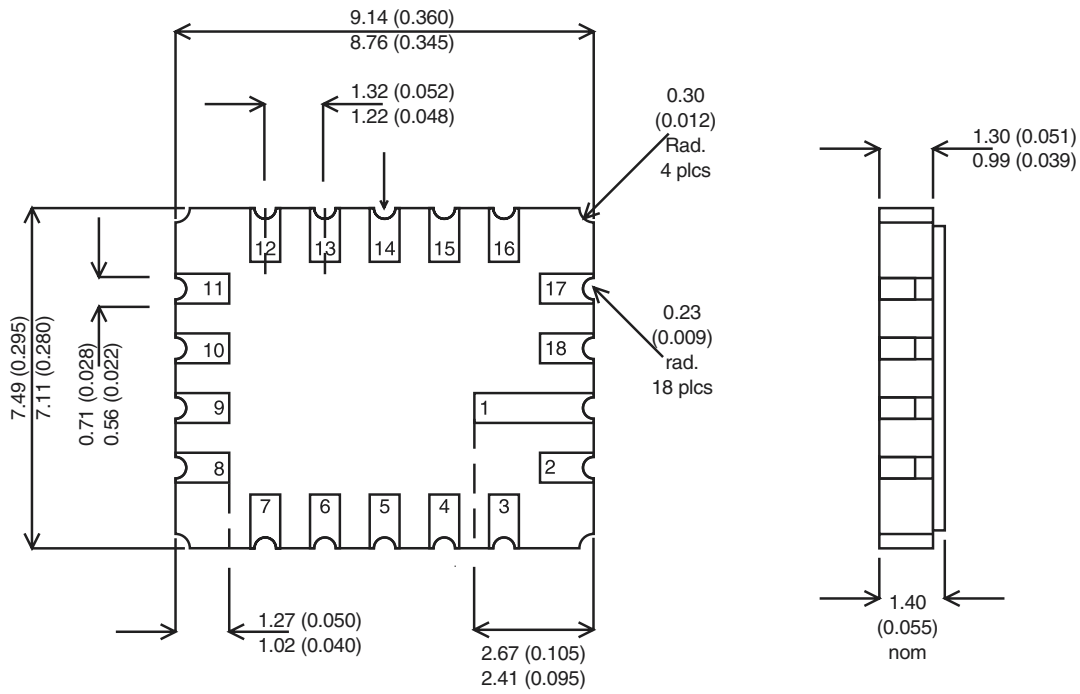


Dimensions in mm (inches)

TO77 (MO-002AF)

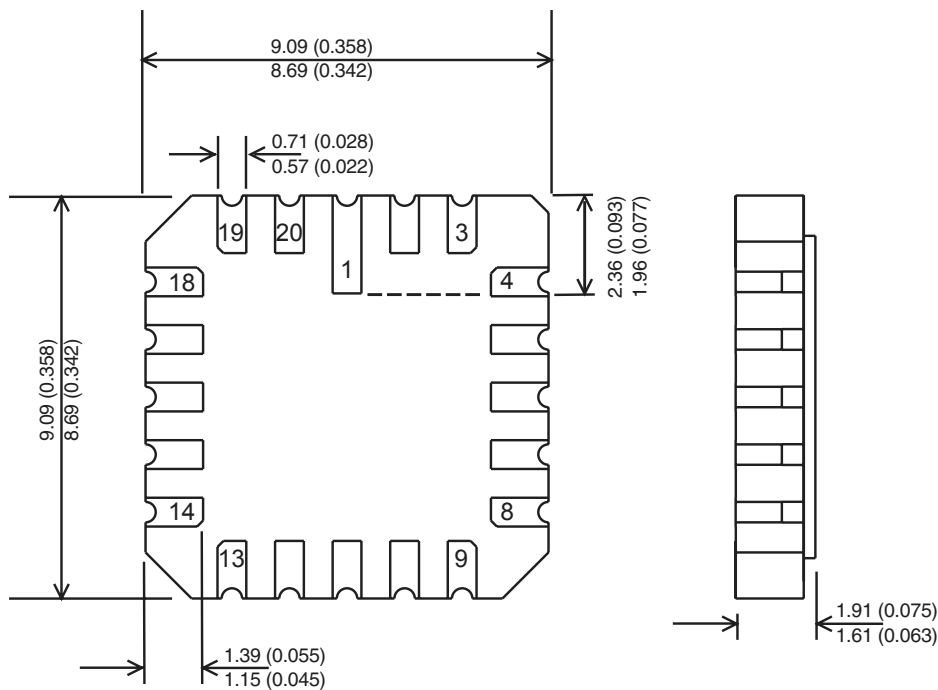


Dimensions shown are to JEDEC specifications. Some products may be specified with marginally different dimensions. See individual data sheets for detailed spec.



Dimensions in mm (inches)

18-Pin LCC MCA

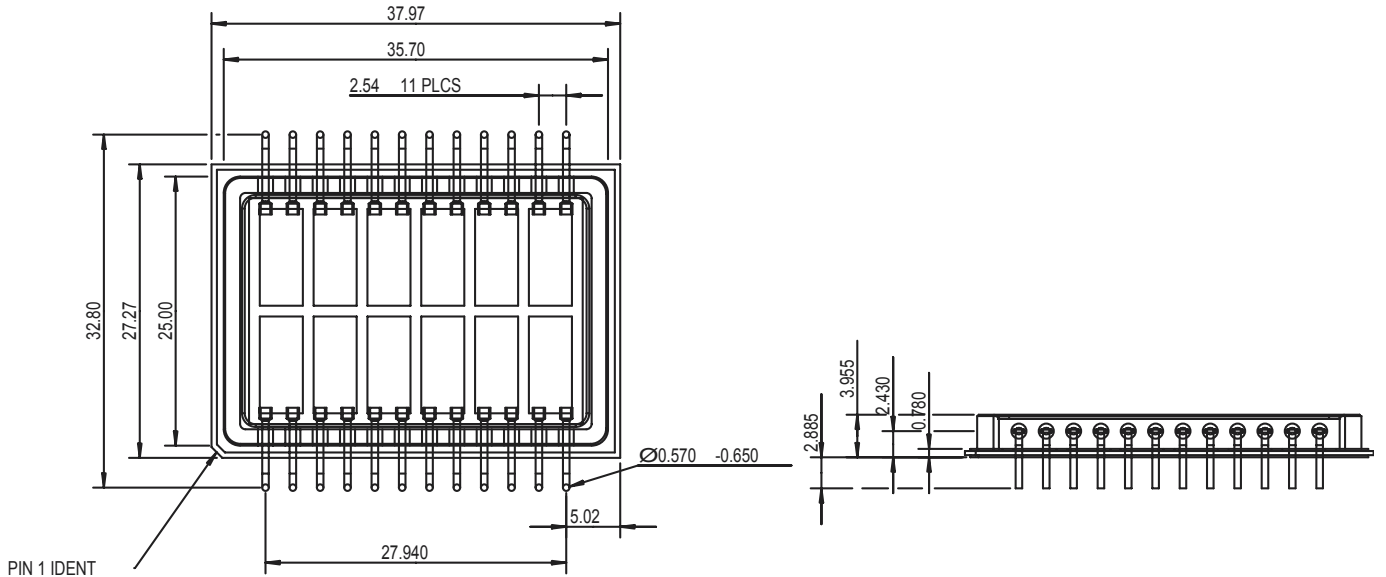


Dimensions in mm (inches)

LCC7 (MS-004CB)

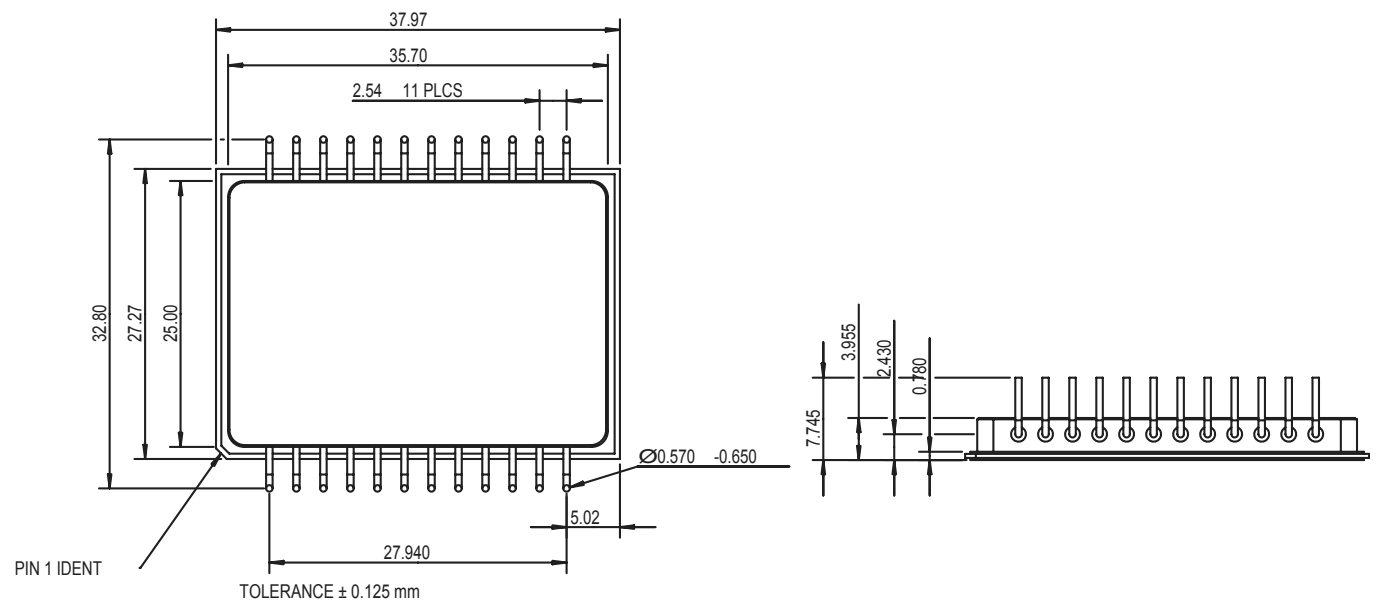


Dimensions shown are to JEDEC specifications. Some products may be specified with marginally different dimensions. See individual data sheets for detailed spec.



Dimensions in mm (inches)

Power MCA 1

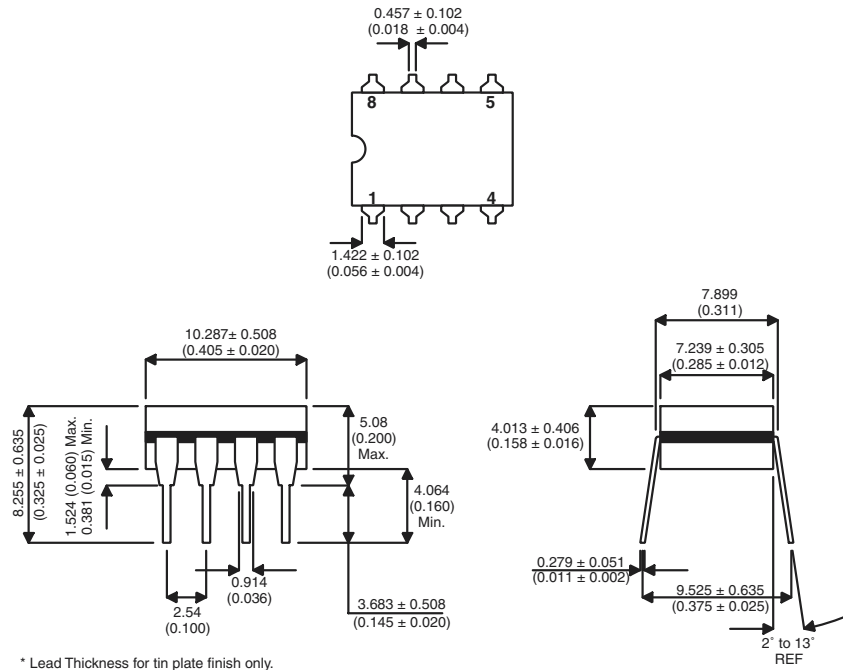


Dimensions in mm (inches)

Power MCA 2



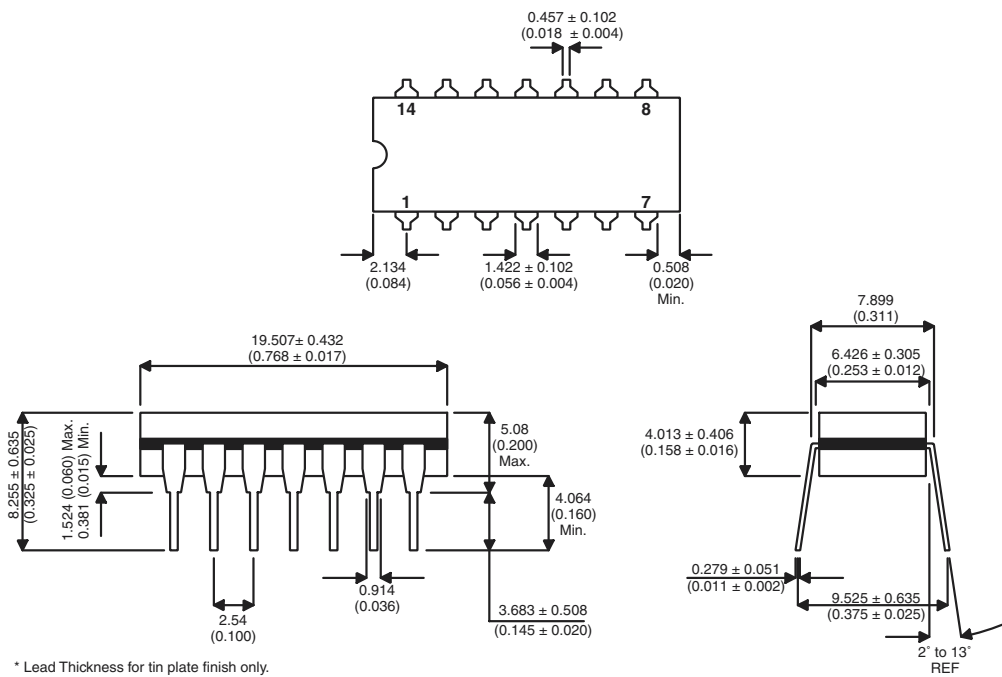
Dimensions shown are to JEDEC specifications. Some products may be specified with marginally different dimensions. See individual data sheets for detailed spec.



* Lead Thickness for tin plate finish only.
Solder dip finish adds 2 to 10 mil thickness to all lead tip dimensions.

Dimensions in mm (inches)

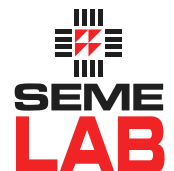
CERDIP-8 J-Pack

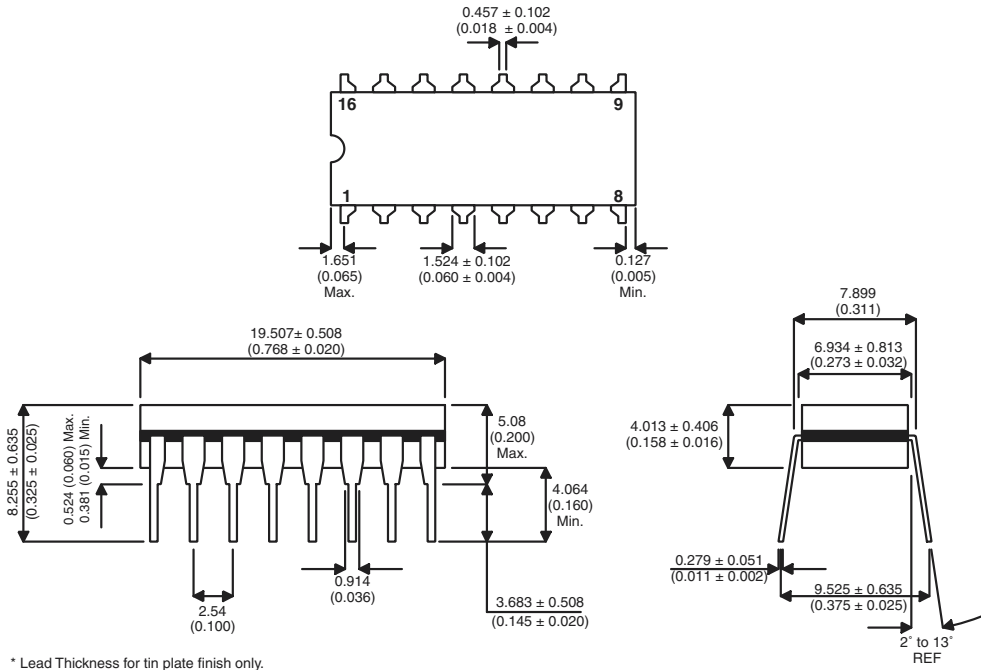


* Lead Thickness for tin plate finish only.
Solder dip finish adds 2 to 10 mil thickness to all lead tip dimensions.

Dimensions in mm (inches)

CERDIP-14 J-Pack

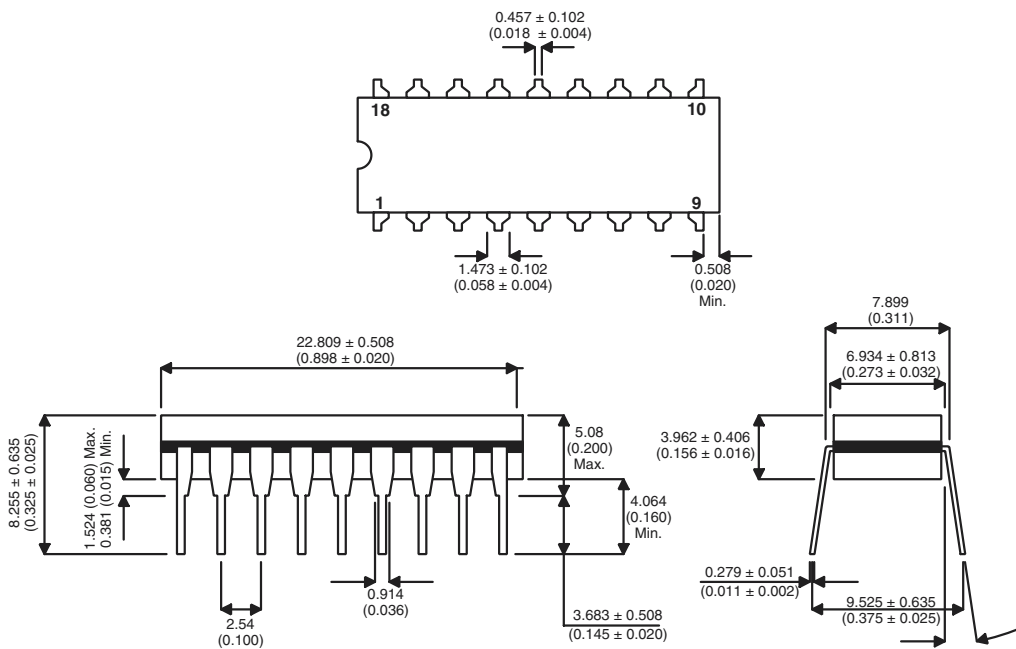




* Lead Thickness for tin plate finish only.
Solder dip finish adds 2 to 10 mil thickness to all lead tip dimensions.

Dimensions in mm (inches)

CERDIP-16 J-Pack



* Lead Thickness for tin plate finish only.
Solder dip finish adds 2 to 10 mil thickness to all lead tip dimensions.

Dimensions in mm (inches)

CERDIP-18 J-Pack

